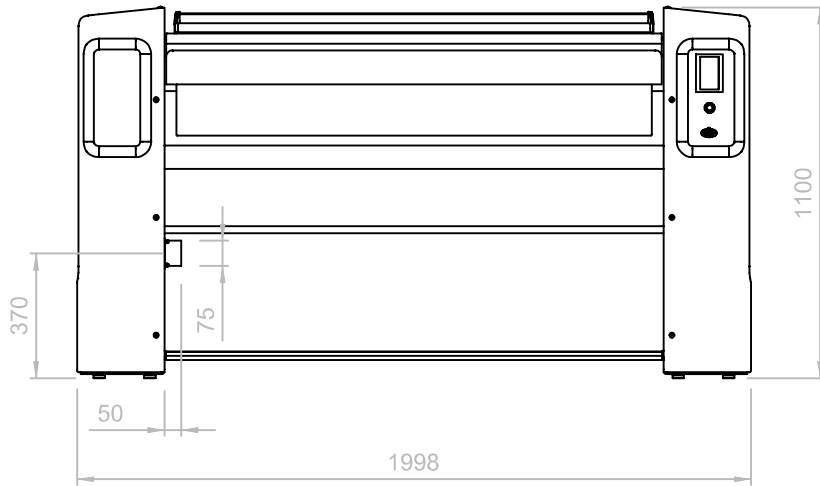


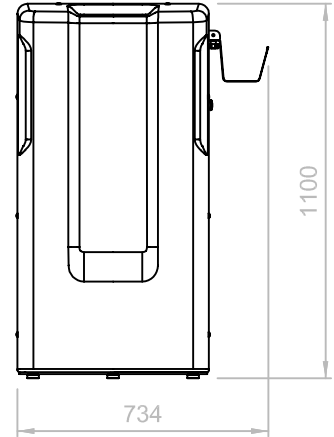
e²140.30

INSTALLATION PLAN

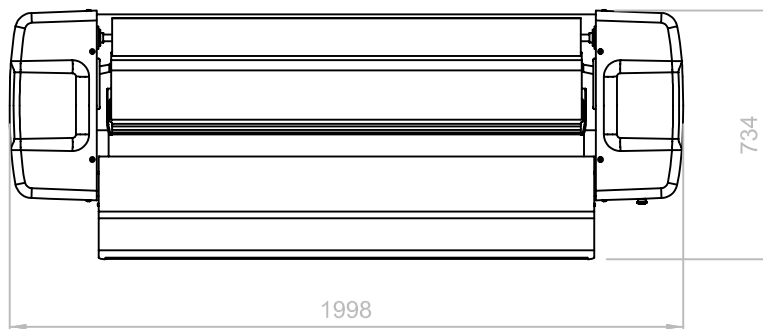
FRONT






SIDE



TOP



WHAT YOU NEED

Electrical cable + industrial plug			
	V.230/1/50-60Hz	V.230/3/50-60Hz	V.400/3N/50-60Hz
	n/a	32 Amps	20 Amps
Total power required	n/a	11 kW	11 kW
Differential magnetothermal switch	n/a	I _{dn} = 0.03 Amps	I _{dn} = 0.03 Amps
Ducting	n/a	Ø75 mm, 90 m ³ /h	Ø75 mm, 90 m ³ /h
Clearance around the ironer	back: 400 - right: 650 mm - left: not needed		