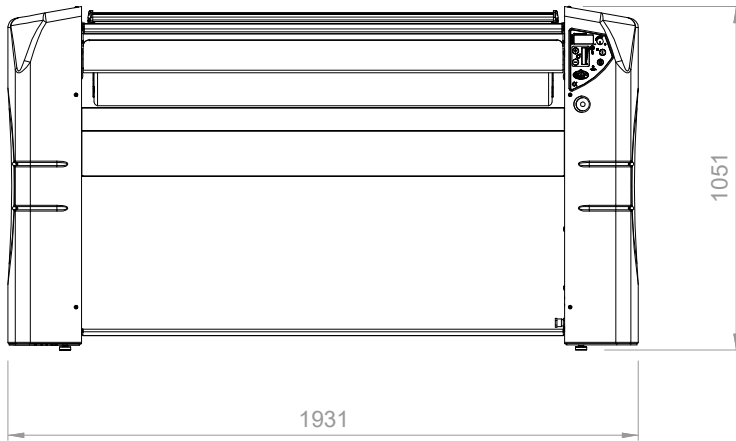


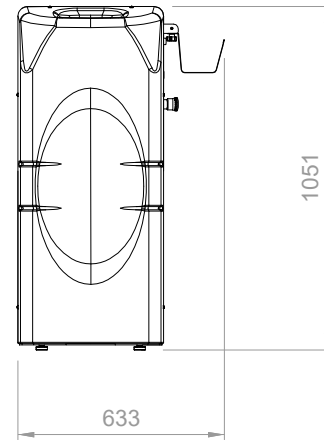
e140.25

## INSTALLATION PLAN

FRONT






SIDE



TOP



## WHAT YOU NEED

Electrical cable + industrial plug			
	V.230/1/50-60Hz	V.230/3/50-60Hz	V.400/3N/50-60Hz
	34 A	20 A	13 A
Total power required	7,73 kW	7,73 kW	7,73 kW
Differential magnetothermal switch	I <sub>dn</sub> = 0.03 Amps	I <sub>dn</sub> = 0.03 Amps	I <sub>dn</sub> = 0.03 Amps
Ducting	option Ø70 mm, 30 m <sup>3</sup> /h	option Ø70 mm, 30 m <sup>3</sup> /h	option Ø70 mm, 30 m <sup>3</sup> /h
Clearance around the ironer	back: 400 - right: 650 mm - left: not needed		