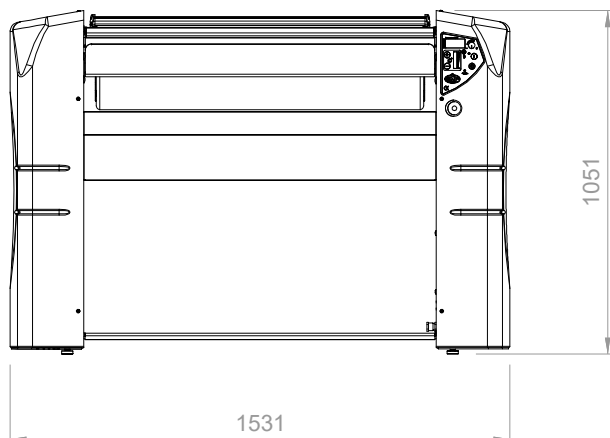


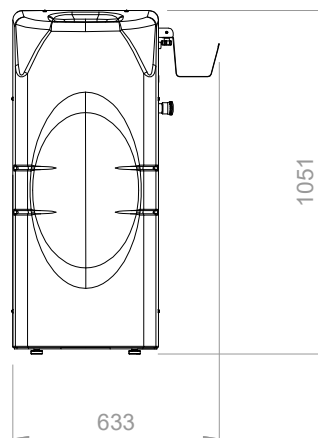
e100.25

INSTALLATION PLAN

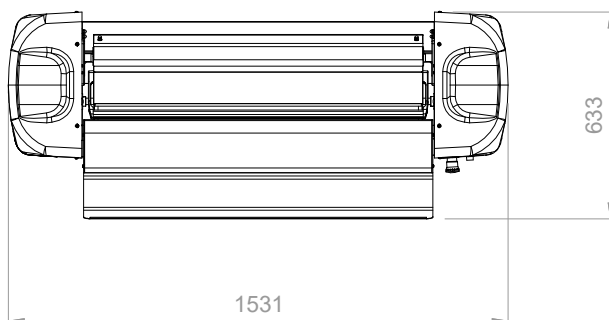
FRONT






SIDE



TOP



WHAT YOU NEED

Electrical cable + industrial plug			
	V.230/1/50-60Hz 27 Amps	V.230/3/50-60Hz 16 Amps	V.400/3N/50-60Hz 10,5 Amps
Total power required	6,23 kW	6,23 kW	6,23 kW
Differential magnetothermal switch	Idn = 0.03 Amps	Idn = 0.03 Amps	Idn = 0.03 Amps
Ducting	not required	not required	not required
Clearance around the ironer	back: not needed - right: 650 mm - left: not needed		