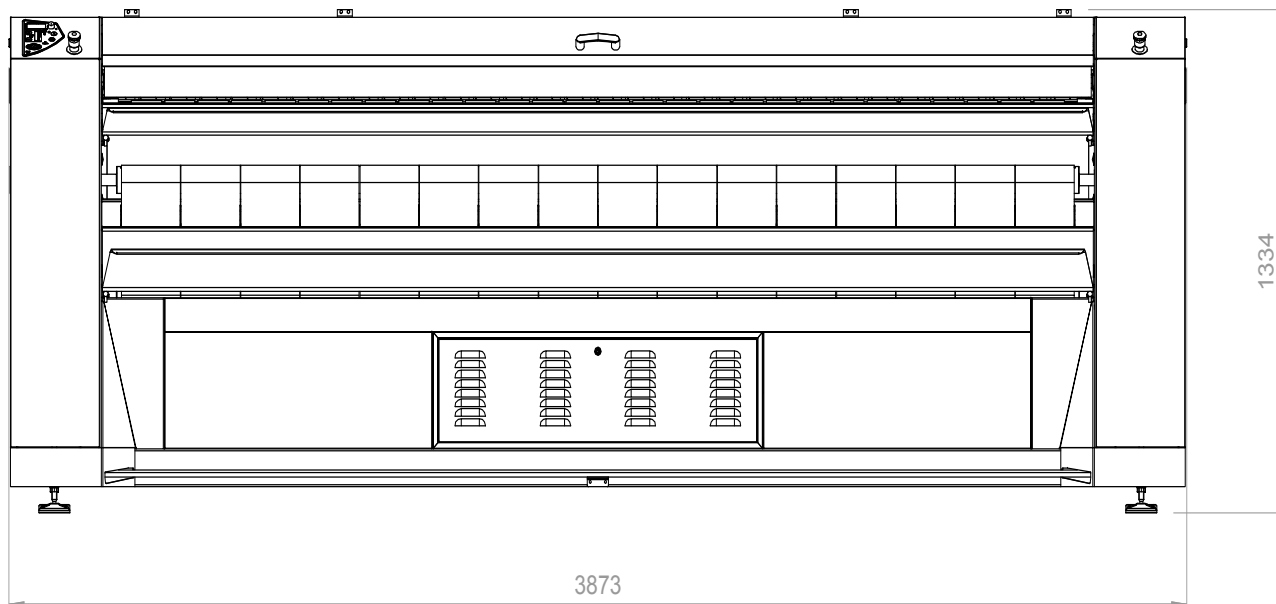
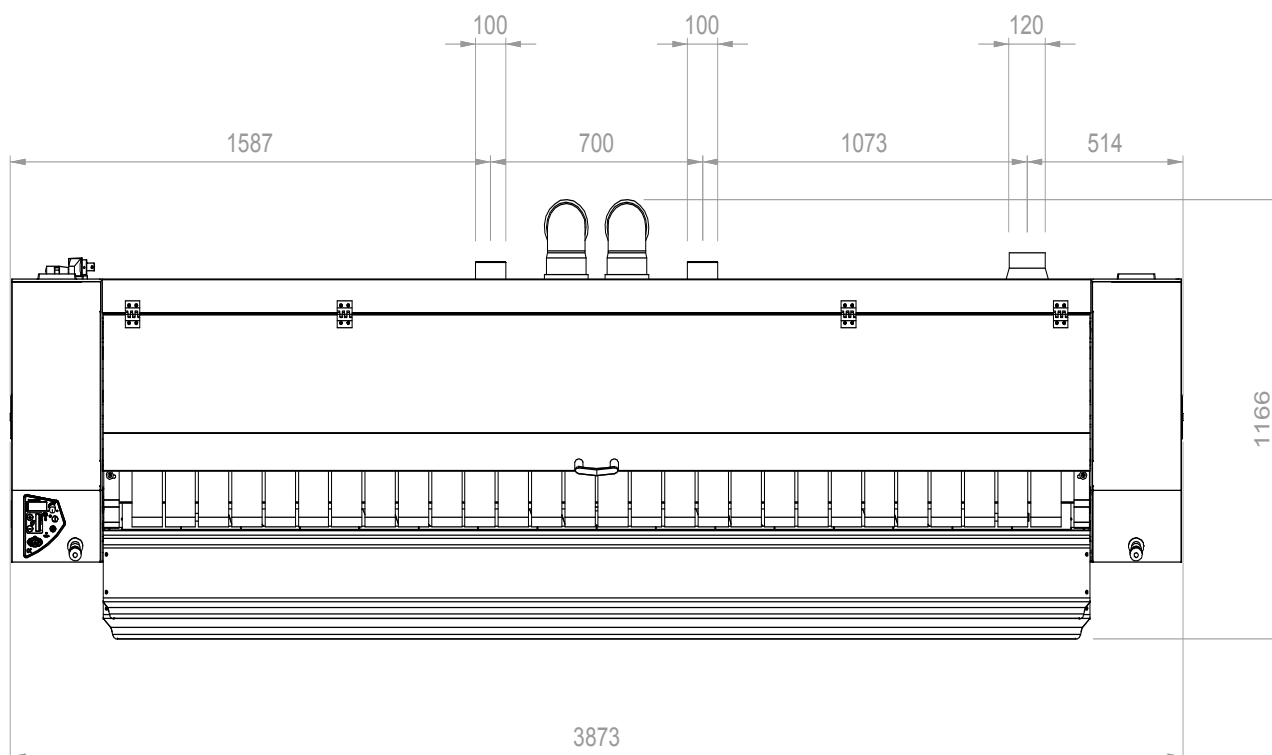


## INSTALLATION PLAN

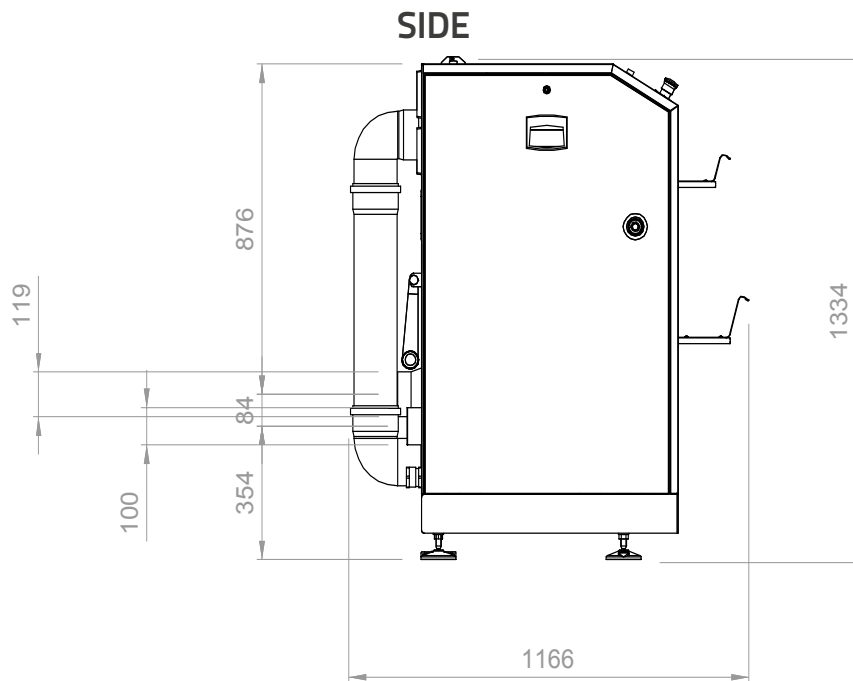
### FRONT



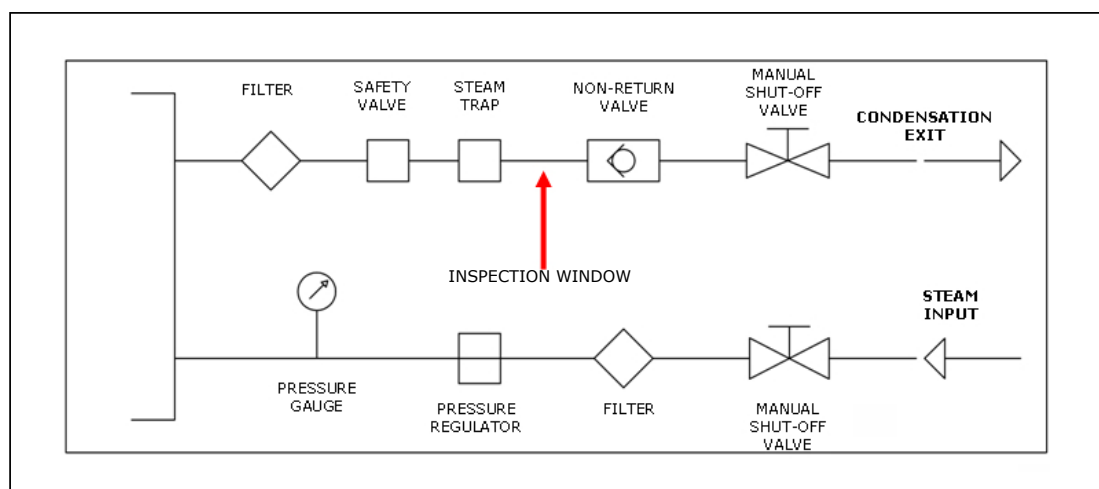
### TOP






## INSTALLATION PLAN



## STEAM CONNECTION



## WHAT YOU NEED

Electrical cable + industrial plug			
	V.230/1/50Hz	V.230/3/50Hz	V.400/3N/50Hz
	not available	4 Amps	5 Amps
Motor power	-	1,6 kW	1,6 kW
Differential magnetothermal switch	-	I <sub>dn</sub> = 0.03 A	I <sub>dn</sub> = 0.03 A
Steam connection	-	G 1" M	G 1" M
Average steam consumption	-	90 kg/h	90 kg/h
Minimum steam pressure required	-	4 bar	4 bar
Ducting	-	Ø100 mm, 740 m <sup>3</sup> /h	Ø100 mm, 740 m <sup>3</sup> /h
Condensate exit	-	G 1/2" M	G 1/2" M
Clearance around the ironer	back: 700 mm - right: 500 mm - left: 500 mm		