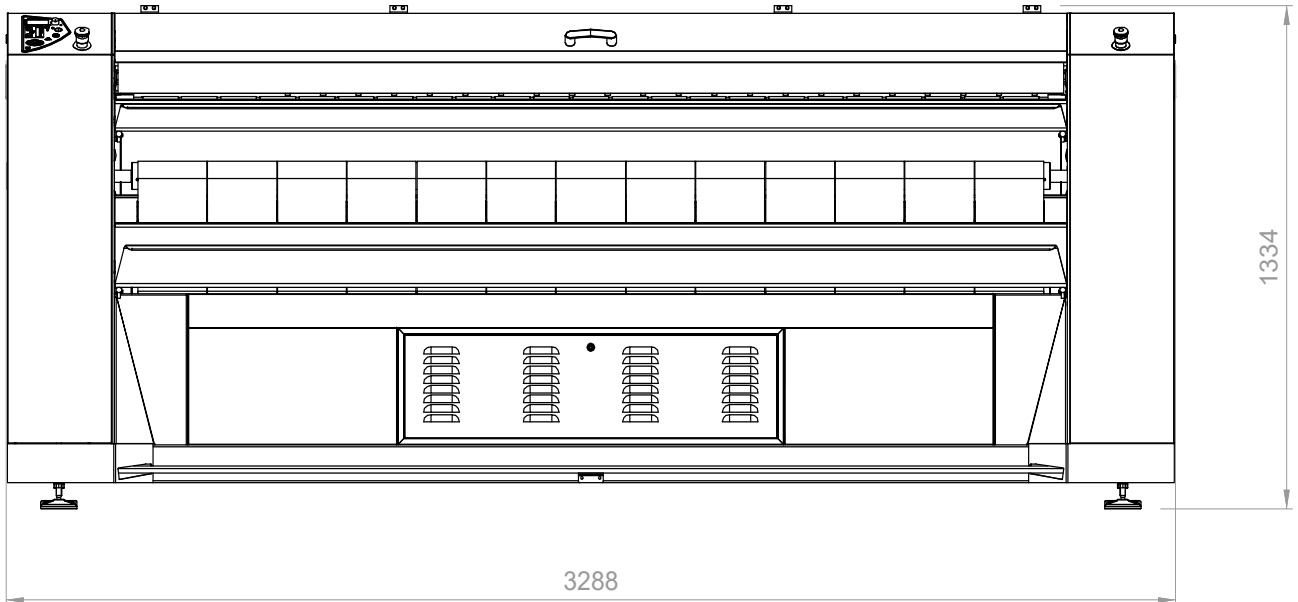


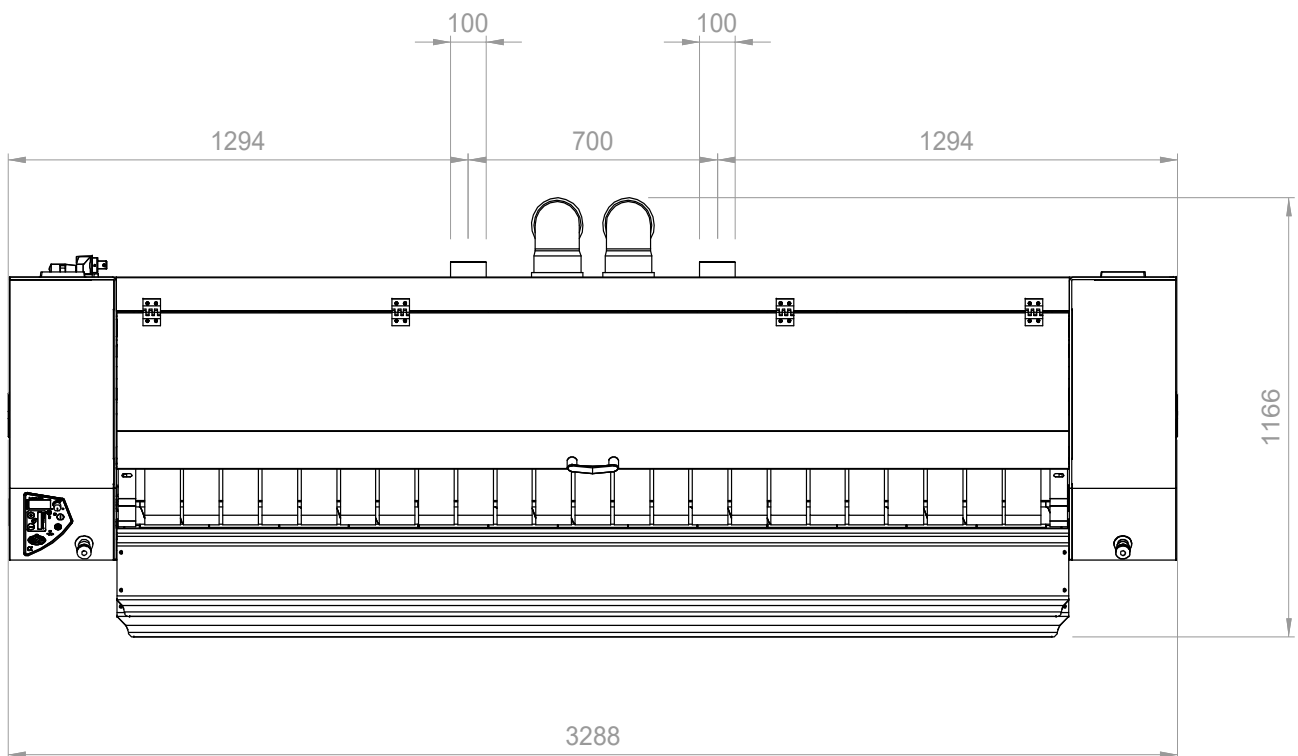
G26.50

INSTALLATION PLAN

FRONT

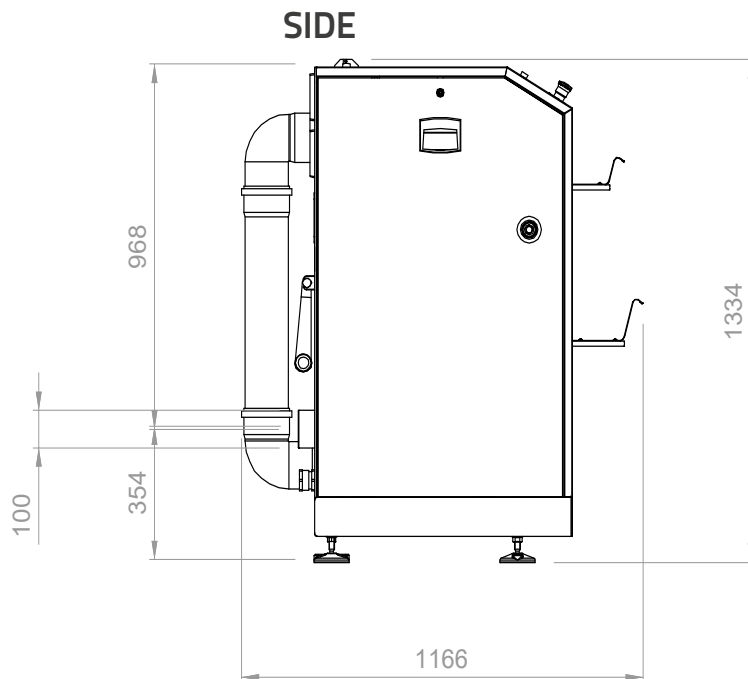


TOP



G26.50

INSTALLATION PLAN



WHAT YOU NEED

Electrical cable + industrial plug			
	V.230/1/50-60Hz	V.230/3/50-60Hz	V.400/3N/50-60Hz
	n/a	147 Amps	85 Amps
Total power required	n/a	58,6 kW	58,6 kW
Differential magnetothermal switch	n/a	I _{dn} = 0.03 Amps	I _{dn} = 0.03 Amps
Ducting	n/a	Ø100 mm, 740 m ³ /h	Ø100 mm, 740 m ³ /h
Clearance around the ironer	back: 700 mm - right: 500 mm - left: 500 mm		