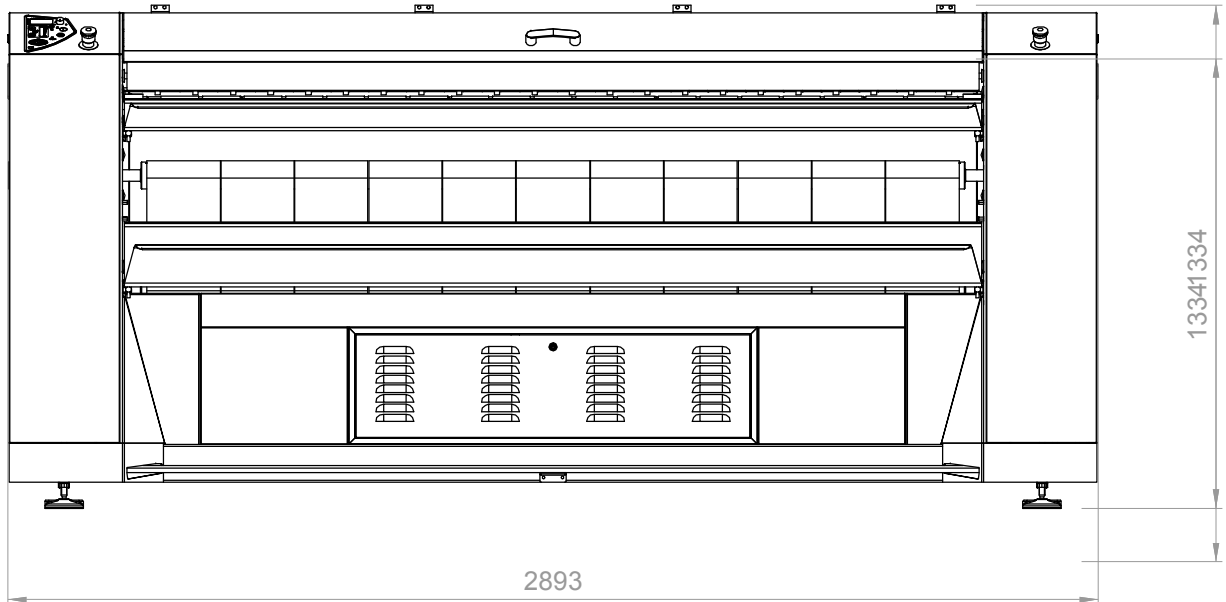
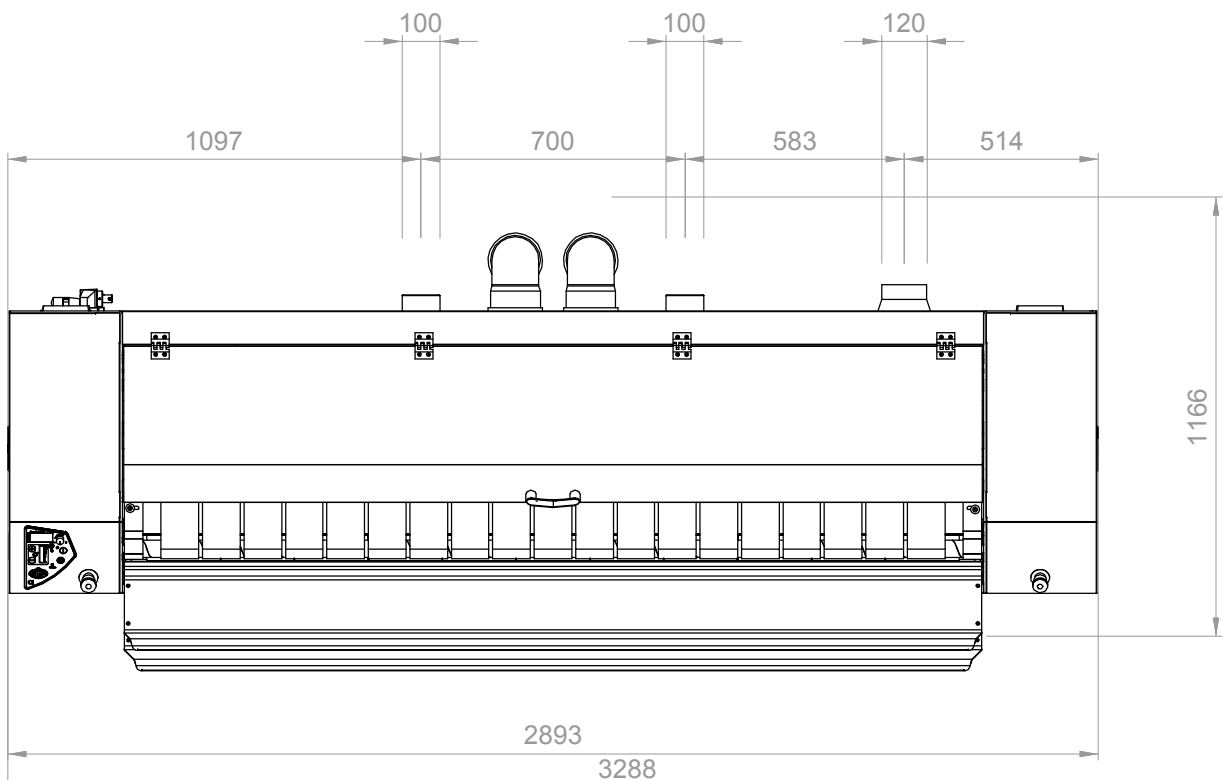


INSTALLATION PLAN

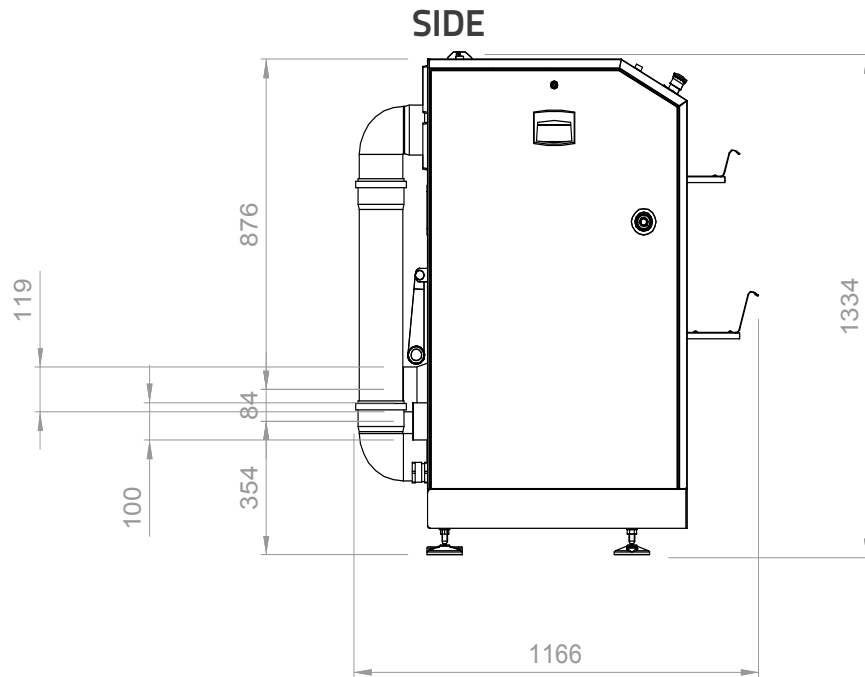
FRONT



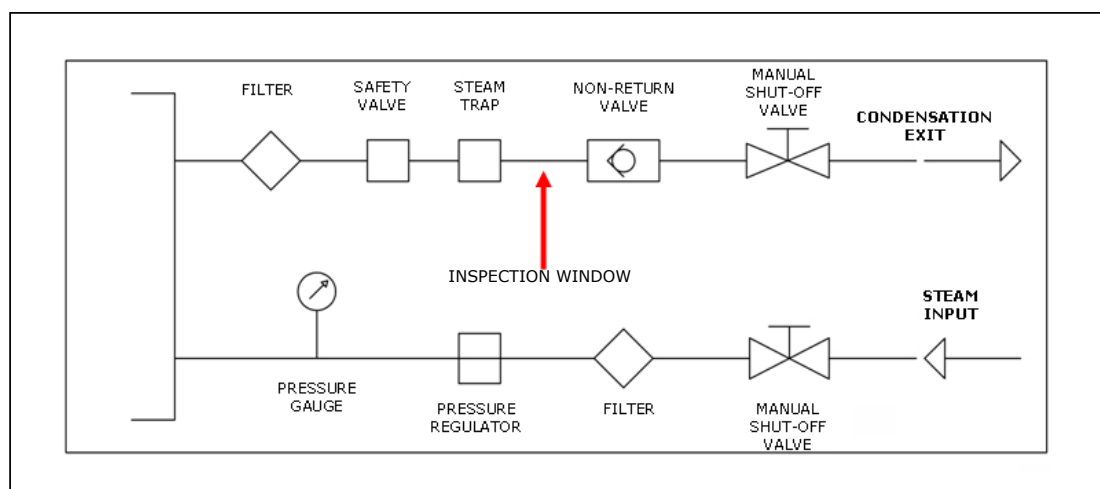
TOP






INSTALLATION PLAN



STEAM CONNECTION



WHAT YOU NEED

| | | | |
|--|---|--|---|
| Electrical cable + industrial plug |  |  |  |
| | V.230/1/50Hz | V.230/3/50Hz | V.400/3N/50Hz |
| | not available | 4 Amps | 5 Amps |
| Motor power | - | 1,6 kW | 1,6 kW |
| Differential magnetothermal switch | - | I _{dn} = 0.03 A | I _{dn} = 0.03 A |
| Steam connection | - | G 1" M | G 1" M |
| Average steam consumption | - | 50 kg/h | 50 kg/h |
| Minimum steam pressure required | - | 4 bar | 4 bar |
| Ducting | - | Ø100 mm, 740 m ³ /h | Ø100 mm, 740 m ³ /h |
| Condensate exit | - | G 1/2" M | G 1/2" M |
| Clearance around the ironer | back: 700 mm - right: 500 mm - left: 500 mm | | |