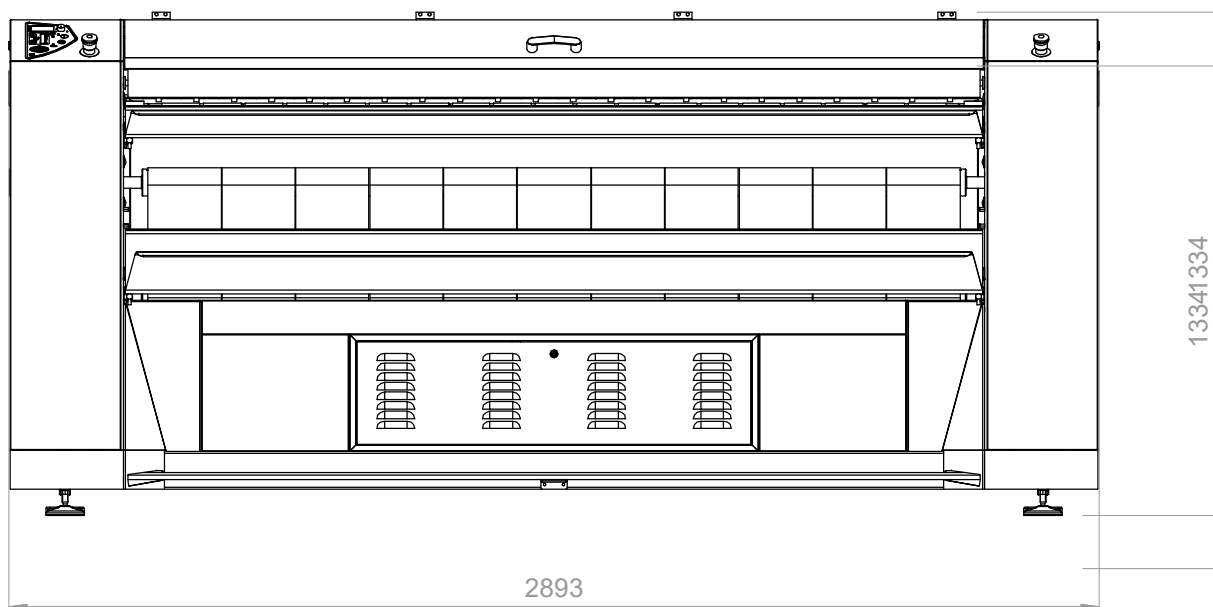
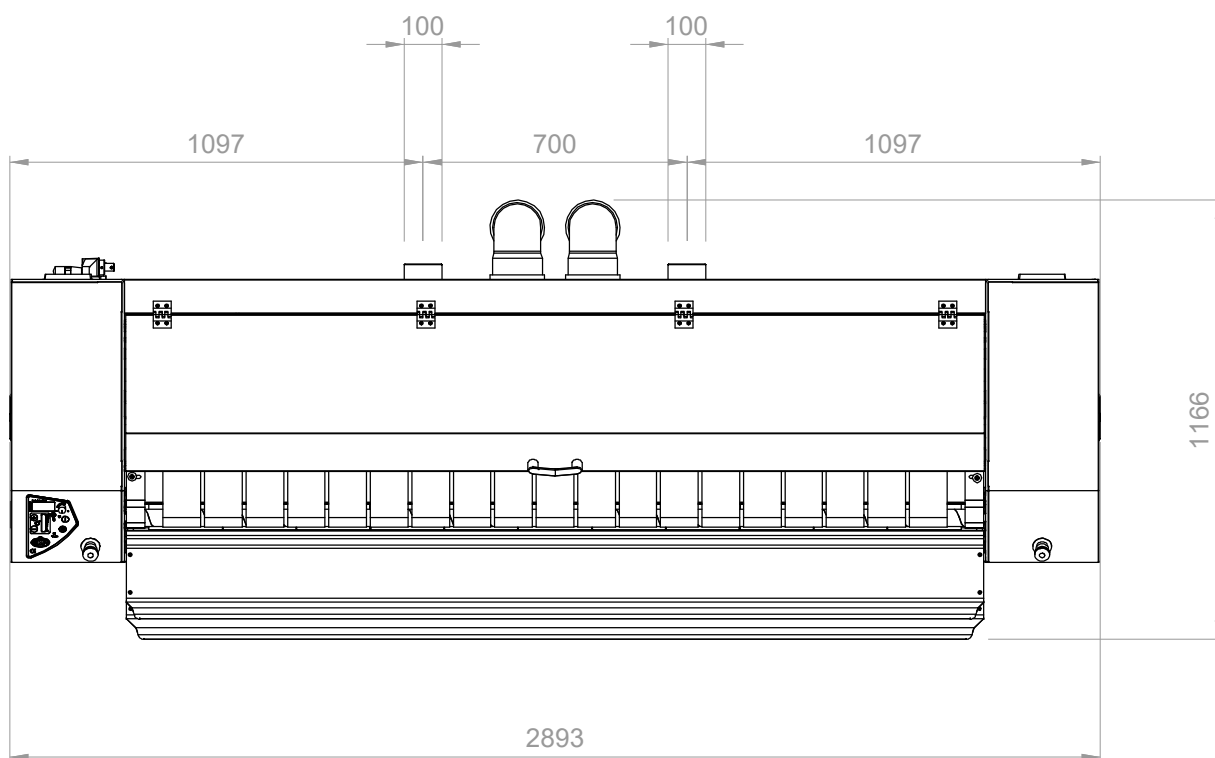


INSTALLATION PLAN

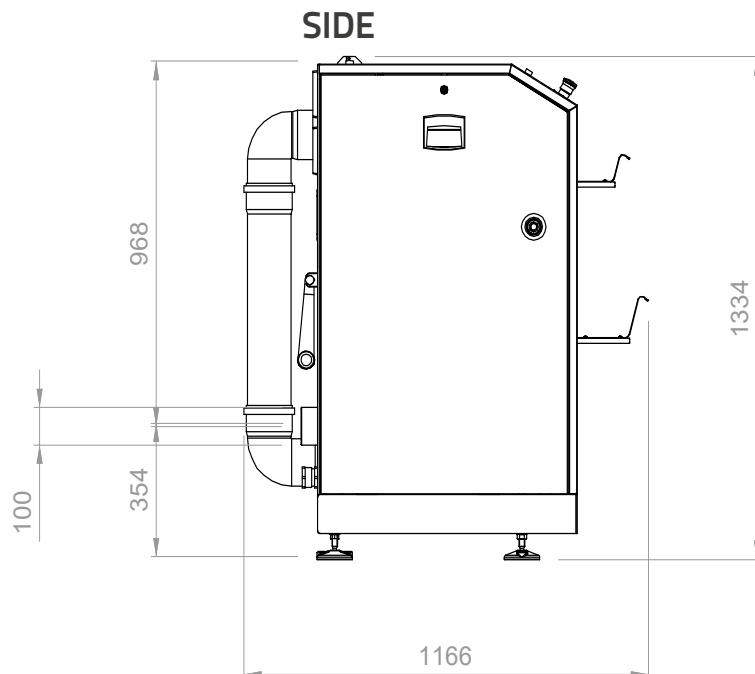
FRONT






TOP



INSTALLATION PLAN



WHAT YOU NEED

Electrical cable + industrial plug			
	V.230/1/50-60Hz	V.230/3/50-60Hz	V.400/3N/50-60Hz
	n/a	120 Amps	69 Amps
Total power required	n/a	47,75 kW	47,75 kW
Differential magnetothermal switch	n/a	Idn = 0.03 Amps	Idn = 0.03 Amps
Ducting	n/a	Ø100 mm, 740 m ³ /h	Ø100 mm, 740 m ³ /h
Clearance around the ironer	back: 700 mm - right: 500 mm - left: 500 mm		