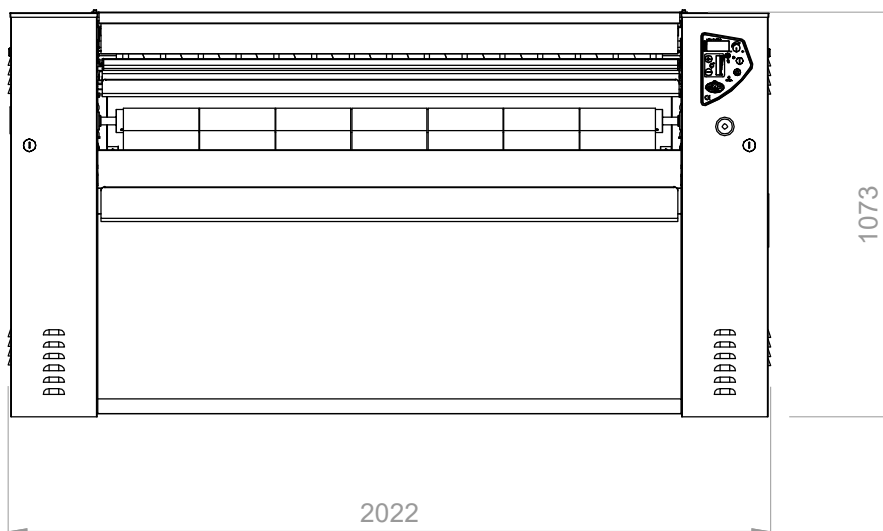


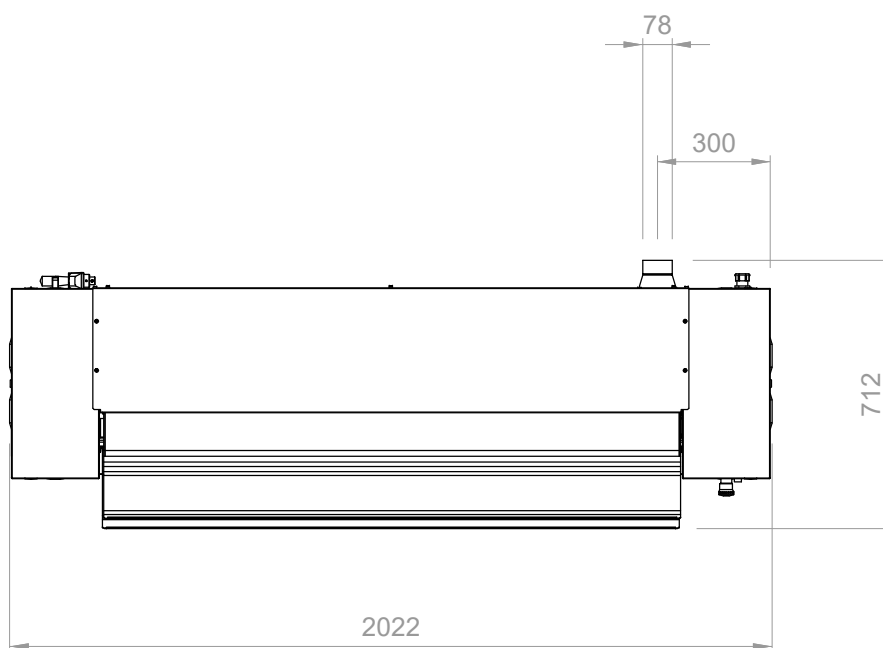
G14.25

INSTALLATION PLAN

FRONT

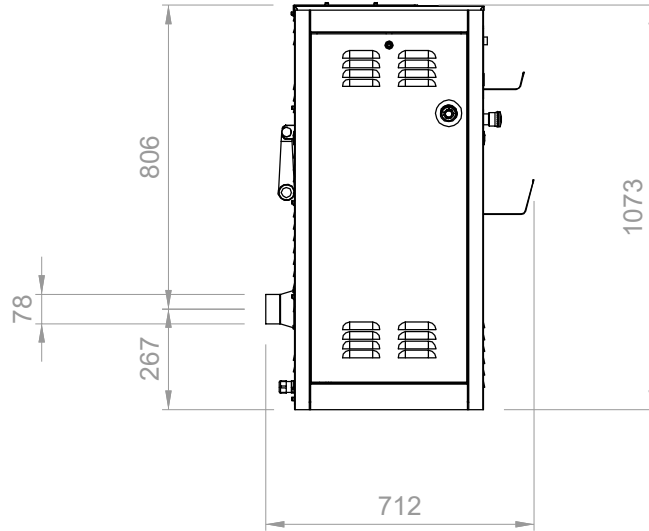


TOP






INSTALLATION PLAN

SIDE



WHAT YOU NEED

Electrical cable + industrial plug			
	V.230/1/50-60Hz	V.230/3/50-60Hz	V.400/3N/50-60Hz
	n/a	35 Amps	21 Amps
Total power required	n/a	14,07 kW	14,07 kW
Differential magnetothermal switch	n/a	I _{dn} = 0.03 Amps	I _{dn} = 0.03 Amps
Ducting	n/a	Ø78 mm, 280 m ³ /h	Ø78 mm, 280 m ³ /h
Clearance around the ironer	back: 500 mm - right: 500 mm - left: 500 mm		